



PMD Series Double Acting Pneumatic Actuators

FOR BALL VALVES UP TO 2"
FOR BUTTERFLY VALVES UP TO 3"

KEY FEATURES

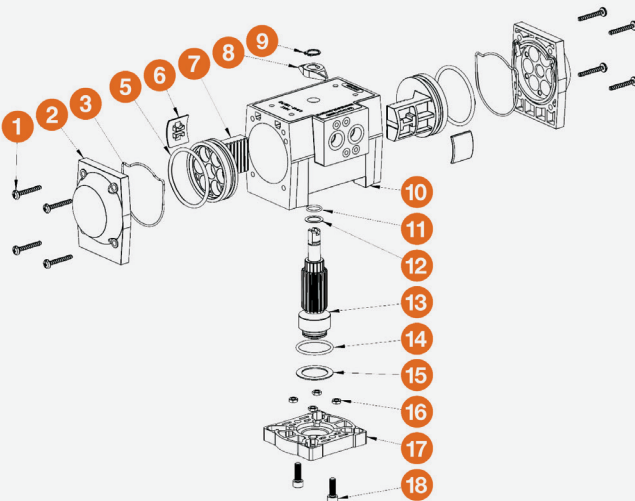
- Double Acting Air-to-Open and Close
- Corrosion-Resistant Thermoplastic Housing
- Permanently Lubricated Gear Train
- Manual Override
- Two-Piston Rack and Pinion Design
- Namur-Style Mounting
- Position Indicator
- Lightweight
- ISO 5211 Mounting Base

OPTIONS

- Solenoid Valves with Optional Voltages
- Auxiliary Limit Switch
- Cycle Speed Controls
- Positioners

TECHNICAL INFORMATION

EXPLODED VIEW



SPECIFICATIONS

HOUSING	Polyamide
OUTPUT SHAFT	Carbon Steel, Nickel Plated
MINIMUM AIR PRESSURE	80 PSI
MAXIMUM AIR PRESSURE	120 PSI
SEALS	Nitrile
CYCLE TIME	Half Second, Typical
AIR PORT CONNECTIONS	1/4" NPT

PMD Series Double Acting Pneumatic Actuators

FOR BALL VALVES UP TO 2"

FOR BUTTERFLY VALVES UP TO 3"

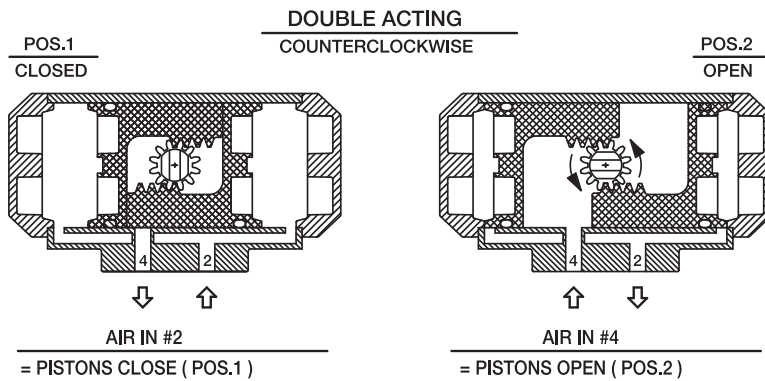
TECHNICAL INFORMATION, CONTINUED

DIMENSIONS

MODEL	ϕA in / mm	B in / mm	C in / mm	L in / mm	P in / mm	R in / mm
PMD15	.551 / 14 ISO F05	1/4-20 x .512 UNC-ISO F05	$\phi 1.969$ / 50 ISO F05	6.299 / 160	4.370 / 111	3.386 / 86

Dimensions are subject to change without notice – consult factory for installation information

ACTUATOR OPERATING SYSTEMS



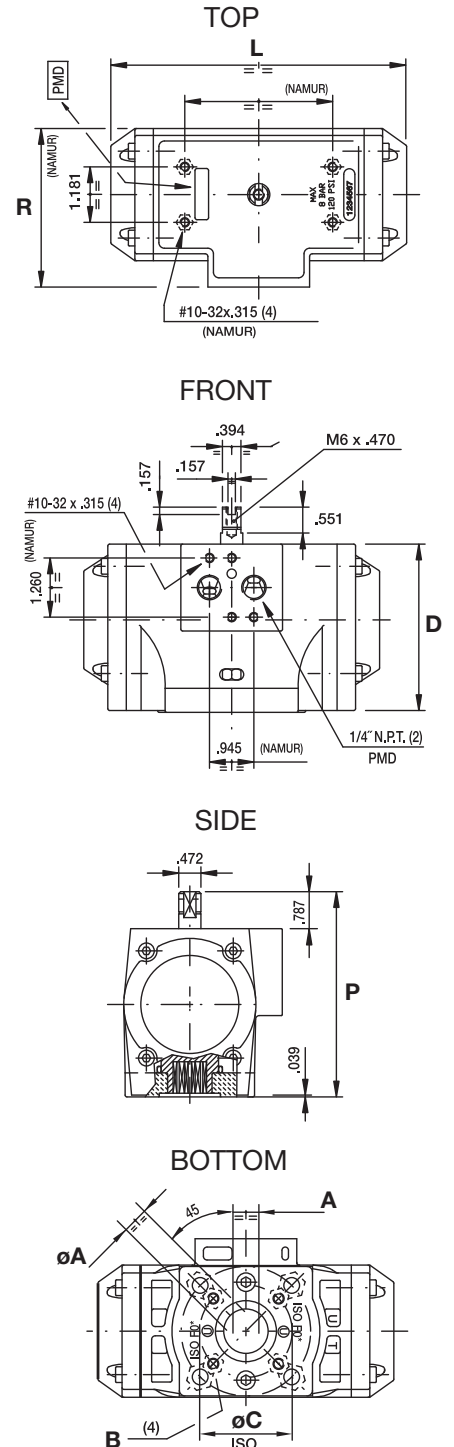
ACTUATOR SPECIFICATIONS

MODEL	PMD15
Torque Output (in-lbs) @ 80 PSI	275
Enclosure Material	Polyamide
Output Shaft	Carbon Steel, Nickel Plated
Air Port Connections	1/4" NPT
Air Consumption (cu. in.)	22.0
Air Transfer	Internal
Stroke Time (seconds)	.5
Cycle Time	1/2 Second
Minimum Air Pressure	80 PSI
Maximum Air Pressure	120 PSI
Operation	Rack and Pinion
Weight (lbs / kg)	2.624 / 1.2

VALVE SELECTION CHART

SIZE* in / DN	TB / TBH / CV / CVH SERIES BALL VALVES	TW/LA SERIES BALL VALVES	BYV SERIES BUTTERFLY VALVES
1/2 - 2 / 15 - 50	PMD15	PMD15	N/A
2 - 3	-	-	PMD15

* Actuator selection based on clean water @ 70°F



Hayward is a registered trademark of Hayward Industries, Inc. © 2018 Hayward Industries, Inc.

USA: 1.888.429.4635 • Fax: 1.888.778.8410 • One Hayward Industrial Drive • Clemmons, NC 27012 • Email: hfcsales@hayward.com
 Canada: 1.888.238.7665 • Fax: 1.905.829.3636 • 2880 Plymouth Drive • Oakville, ON L6H 5R4 • Email: hflowcanada@hayward.com
 Visit us at: haywardflowcontrol.com