



PMS4 Series Spring Return Pneumatic Actuators

FOR 1/2" TO 4" BALL VALVES /
UP TO 4" BUTTERFLY VALVES

KEY FEATURES

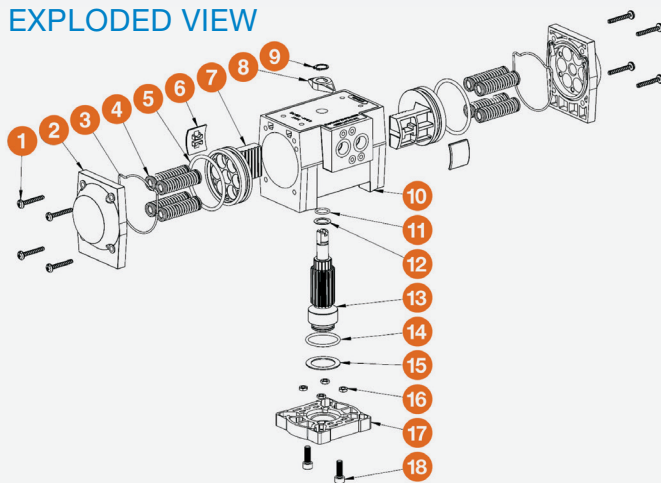
- Air to Spring Fail Safe Operation
- Corrosion-Resistant GFPP Housing
- Ideal for Corrosive Atmosphere and Environments
- Anodized Aluminum Two-Piston Rack and 303 Stainless Steel Pinion
- Position Indicator
- Permanent Lubrication
- Lightweight – Easy for Installation
- Namur-Style Solenoid Mounting
- ISO 5211 Mounting Base
- Stainless Steel Fasteners
- Alternative Operating Media for 40 PSI to 120 PSI
- All Units are Marked for Traceability
- 100% Factory Tested

OPTIONS

- Solenoid Valves with Optional Voltages
- Auxiliary Limit Switch
- Cycle Speed Controls
- Positioners

TECHNICAL INFORMATION

EXPLODED VIEW



SPECIFICATIONS

HOUSING	GFPP per ASTM D4101 Cell Class 85580
OUTPUT SHAFT	03 Stainless Steel per ASTM A314
SEALS	Nitrile
MINIMUM AIR PRESSURE	80 PSI
MAXIMUM AIR PRESSURE	120 PSI
CYCLE TIME	Half Second, Typical
AIR PORT CONNECTIONS	1/4" NPT
NAMUR MOUNTING	VDI/VDE 3845
OPERATING TEMPERATURE RANGE	-4°F to 176°F

PMS4 Series Spring Return Pneumatic Actuators

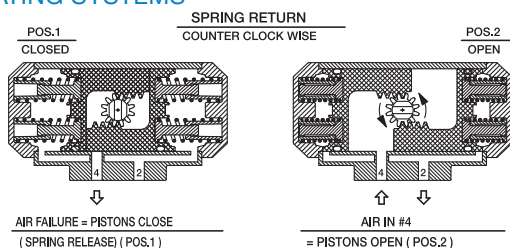
FOR BALL AND BUTTERFLY VALVES UP TO 4"

TECHNICAL INFORMATION, CONTINUED

DIMENSIONS

MODEL	A in / mm	B in / mm	E in / mm	H in / mm	J in / mm	K in / mm	L in / mm	FLANGE STANDARD (dim M)	WEIGHT (lbs)
PMS415	3.54 / 90	4.37 / 111	0.47 / 12	1.30 / 33	3.39 / 86	0.55 / 14	6.30 / 160	F05	3.1
PMS419	4.39 / 112	5.22 / 133	0.47 / 12	1.30 / 33	3.98 / 101	0.67 / 17	6.89 / 175	F07	5.2
PMS420	4.39 / 112	5.22 / 133	0.47 / 12	1.30 / 33	3.98 / 101	0.67 / 17	6.89 / 175	F07	5.2

ACTUATOR OPERATING SYSTEMS

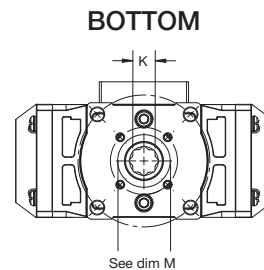
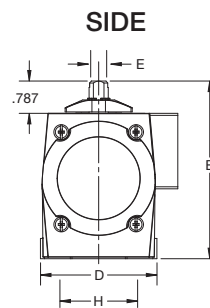
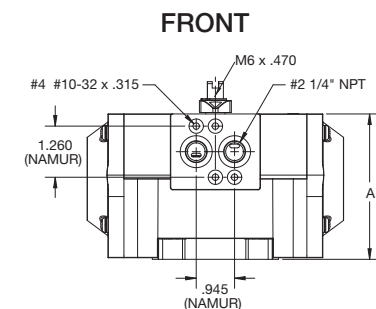
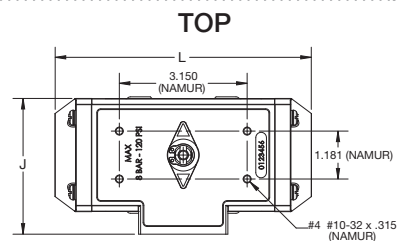


ACTUATOR SPECIFICATIONS

	PMS415	PMS419	PMS420
Torque Output (in. / lb.) @ 80psi	168 / 125	316 / 255	270 / 193
Spring Stroke (Start/End)	150 / 107	245 / 184	307 / 230
Enclosure Material	Glass Filled Polypropylene		
Spring Set	4+4	4+4	5+5
Air Port Connections	1/4" NPT		
Air Consumption (cu. in.)	10.8	17.5	17.5
Air Transfer	Internal		
Stroke Time (seconds)	0.5 second		
Cycle Time	1/2 second		
Minimum Air Pressure	80psi		
Maximum Air Pressure	120psi		
Operation	Rack and Pinion, Spring Return		
Weight (lb / kg)	3.1 / 1.4	5.2 / 2.4	5.2 / 2.4

VALVE SELECTION CHART

SIZE* in / DN	TB / TBH / CV / CVH SERIES BALL VALVES	TW/LA SERIES BALL VALVES	BYV SERIES BUTTERFLY VALVES
1/2 / 15	PMS415	PMS415	N/A
3/4 / 20	PMS415	PMS415	N/A
1 / 25	PMS415	PMS415	N/A
1-1/4 / 32	PMS415	PMS415	N/A
1-1/2 / 40	PMS415	PMS415	N/A
2 / 50	PMS415	PMS415	PMS420
2-1/2 / 65	PMS419	PMS419	PMS420
3 / 80	PMS419	PMS419	PMS420
4 / 100	PMS420	PMS420	N/A
6 / 150	PMS420	PMS420	N/A



 Hayward is a registered trademark of Hayward Industries, Inc. © 2018 Hayward Industries, Inc.

USA: 1.888.429.4635 • Fax: 1.888.778.8410 • One Hayward Industrial Drive • Clemmons, NC 27012 • Email: hfcsales@hayward.com
Canada: 1.888.238.7665 • Fax: 1.905.829.3636 • 2880 Plymouth Drive • Oakville, ON L6H 5R4 • Email: hflowcanada@hayward.com
Visit us at: haywardflowcontrol.com