



PMD4 Series Double Acting Pneumatic Actuators

FOR BALL VALVES UP TO 6"
FOR BUTTERFLY VALVES UP TO 6"

KEY FEATURES

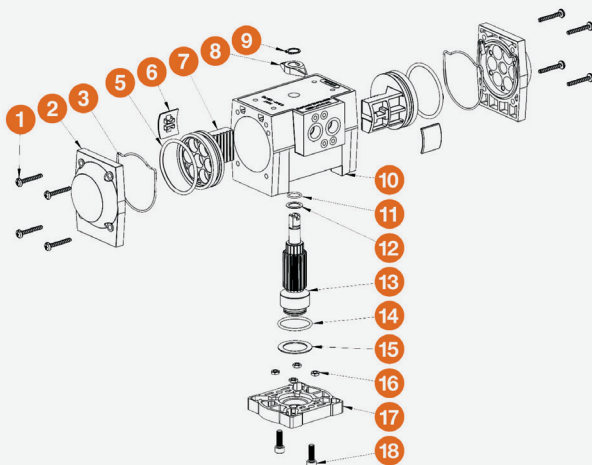
- Double Acting Air-to-Open and Close
- Corrosion-Resistant GFPP Housing
- Ideal for Corrosive Atmosphere and Environments
- Anodized Aluminum Two-Piston Rack and 303 Stainless Steel Pinion
- Manual Override
- Position Indicator
- Permanent Lubrication
- Lightweight – Easy for Installation
- Namur-Style Solenoid Mounting
- ISO 5211 Mounting Base
- Stainless Steel Fasteners
- Alternative Operating Media for 80 PSI to 120 PSI
- All Units are Marked for Traceability
- 100% Factory Tested

OPTIONS

- Solenoid Valves with Optional Voltages
- Auxiliary Limit Switch
- Cycle Speed Controls
- Positioners

TECHNICAL INFORMATION

EXPLODED VIEW



SPECIFICATIONS

HOUSING	GFPP per ASTM D4101 Cell Class 85580
OUTPUT SHAFT	03 Stainless Steel per ASTM A314
SEALS	Nitrile
MINIMUM AIR PRESSURE	80 PSI
MAXIMUM AIR PRESSURE	120 PSI
CYCLE TIME	Half Second, Typical
AIR PORT CONNECTIONS	1/4" NPT
NAMUR MOUNTING	VDI / VDE / 3845
OPERATING TEMPERATURE RANGE	-4°F to 176°F

PMD4 Series Double Acting Pneumatic Actuators

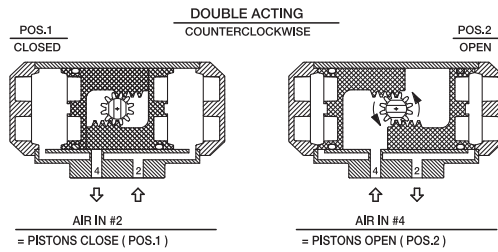
FOR BALL AND BUTTERFLY VALVES UP TO 6"

TECHNICAL INFORMATION, CONTINUED

DIMENSIONS

MODEL	A in / mm	B in / mm	E in / mm	H in / mm	J in / mm	K in / mm	L in / mm	FLANGE STANDARD (dim M)	WEIGHT (lbs)
PMD415	3.54 / 90	4.37 / 111	0.47 / 12	1.30 / 33	3.39 / 86	0.55 / 14	6.30 / 160	F05	2.3
PMD419	4.39 / 112	5.22 / 133	0.47 / 12	1.30 / 33	3.98 / 101	0.67 / 17	6.89 / 175	F07	3.6

ACTUATOR OPERATING SYSTEMS

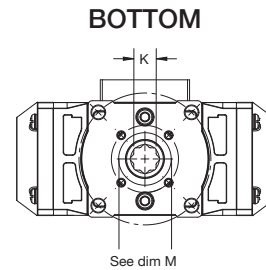
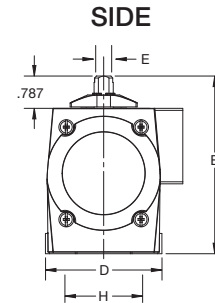
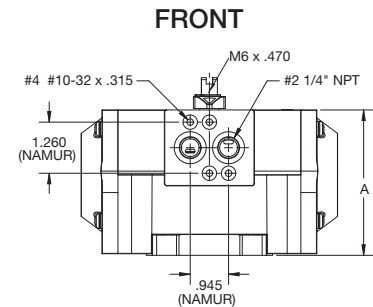
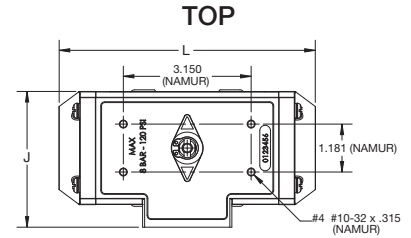


ACTUATOR SPECIFICATIONS

	PMD415	PMD419
Torque Output (in. /lb.) @ 80psi	275	500
Spring Stroke (Start/End)	NA	NA
Enclosure Material	Glass Filled Polypropylene	
Output Shaft	303 Stainless Steel	
Air Port Connections	1/4" NPT	
Air Consumption (cu. in.)	22	40.6
Air Transfer	Internal	
Stroke Time (seconds)	0.5	
Cycle Time	1/2 second	
Minimum Air Pressure	80psi	
Maximum Air Pressure	120psi	
Operation	Rack and Pinion	
Weight (lb / kg)	2.25 / 1.02	3.55 / 1.61

VALVE SELECTION CHART

SIZE* in / DN	TB / TBH / CV / CVH SERIES BALL VALVES	TW/LA SERIES BALL VALVES	BYV SERIES BUTTERFLY VALVES
1/2 / 15	PMD415	PMD415	N/A
3/4 / 20	PMD415	PMD415	N/A
1 / 25	PMD415	PMD415	N/A
1-1/4 / 32	PMD415	PMD415	N/A
1-1/2 / 40	PMD415	PMD415	N/A
2 / 50	PMD415	PMD415	PMD415 / PMD419
2-1/2 / 65	PMD419	PMD419	PMD415 / PMD419
3 / 80	PMD419	PMD419	PMD415 / PMD419
4 / 100	PMD419	PMD419	PMD419
6 / 150	PMD419	PMD419	N/A



Hayward is a registered trademark of Hayward Industries, Inc. © 2018 Hayward Industries, Inc.

USA: 1.888.429.4635 • Fax: 1.888.778.8410 • One Hayward Industrial Drive • Clemmons, NC 27012 • Email: hfcsales@hayward.com
 Canada: 1.888.238.7665 • Fax: 1.905.829.3636 • 2880 Plymouth Drive • Oakville, ON L6H 5R4 • Email: hflowcanada@hayward.com
 Visit us at: haywardflowcontrol.com